

# LEMAAR

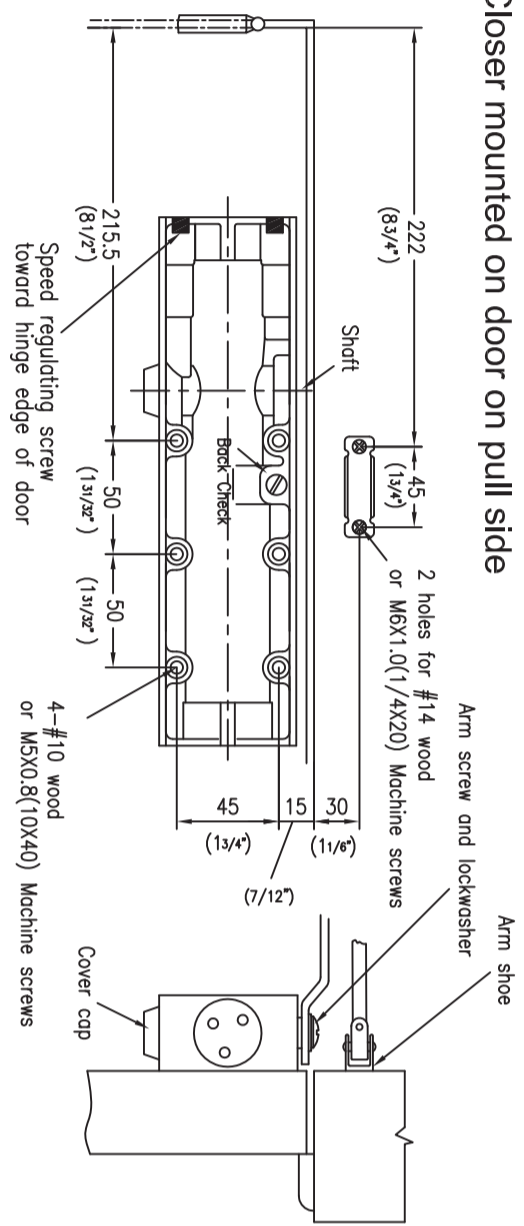
QUALITY YOU CAN FEEL

## 84500

SURFACE MOUNTED CLOSER SIZE 2-4  
metric (inch) system  
INSTALLATION INSTRUCTIONS

### STANDARD INSTALLATION

Closer mounted on door on pull side

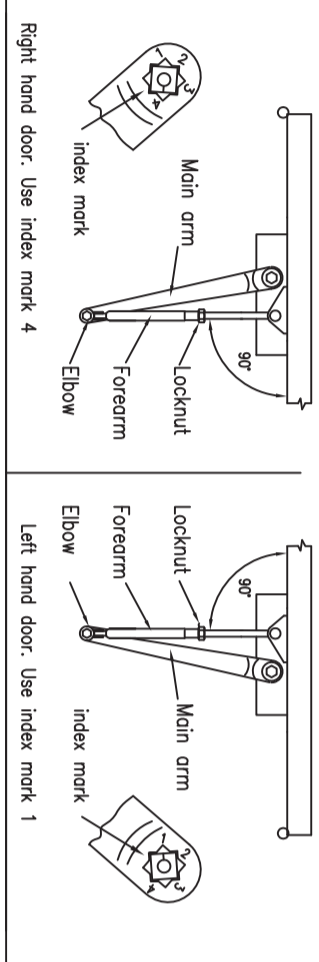


#### CLOSING POWER ADJUSTMENT

Arrow toward hinge edge  
-for regular power  
Arrow away from hinge edge  
-for maximum power

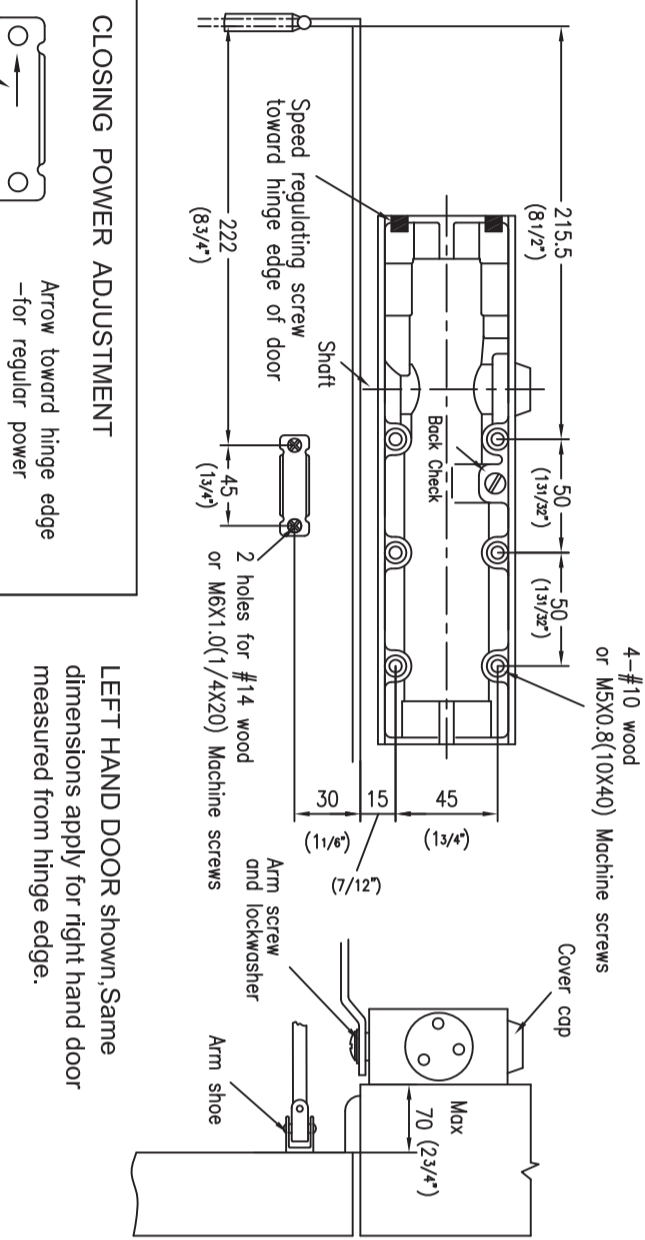
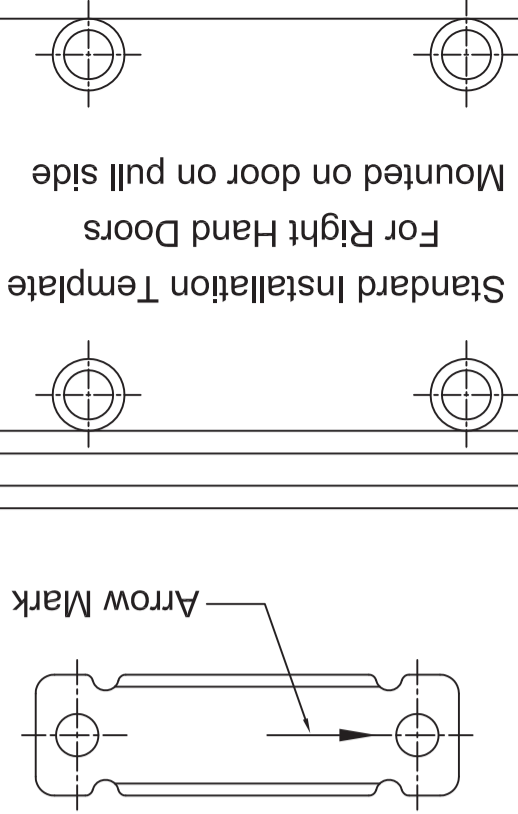
RIGHT HAND DOOR shown. Same dimensions apply for left hand door measured from hinge edge.

#### POSITION OF ARMS AND INDEX SETTINGS



### TOP JAMB INSTALLATION

Closer mounted on top jamb on push side of door.  
Reveals of 70(2 3/4") to 127(5") requires long top jamb forearms.

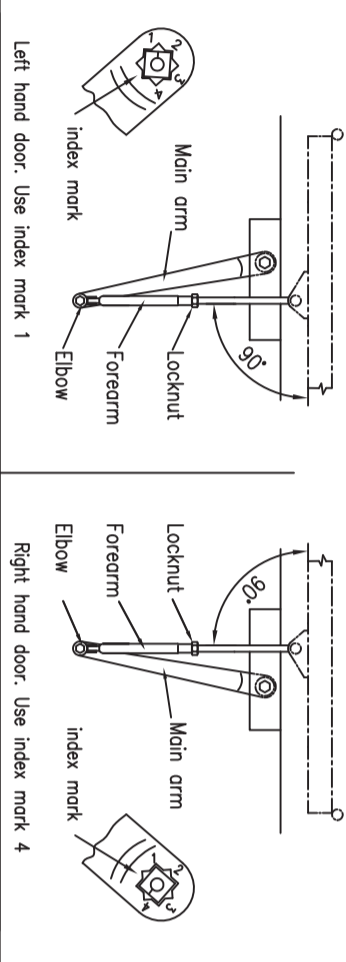


#### CLOSING POWER ADJUSTMENT

Arrow toward hinge edge  
-for regular power  
Arrow away from hinge edge  
-for maximum power

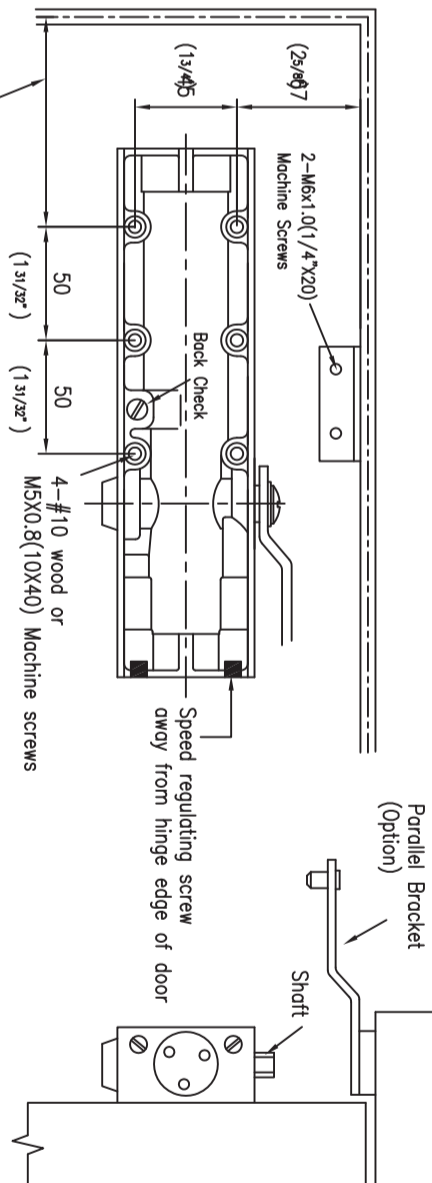
LEFT HAND DOOR shown. Same dimensions apply for right hand door measured from hinge edge.

#### POSITION OF ARMS AND INDEX SETTINGS



### PARALLEL ARM INSTALLATION

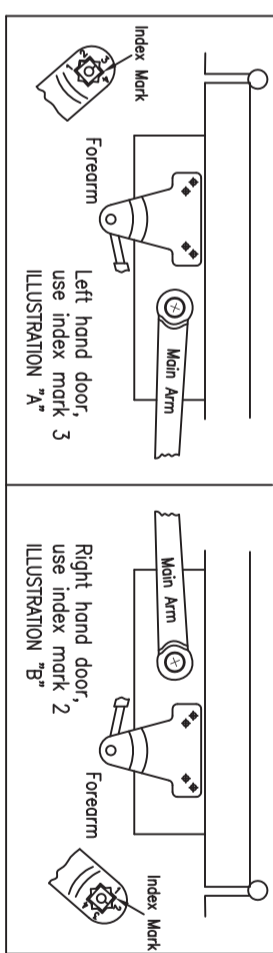
Closer mounted on door on push side



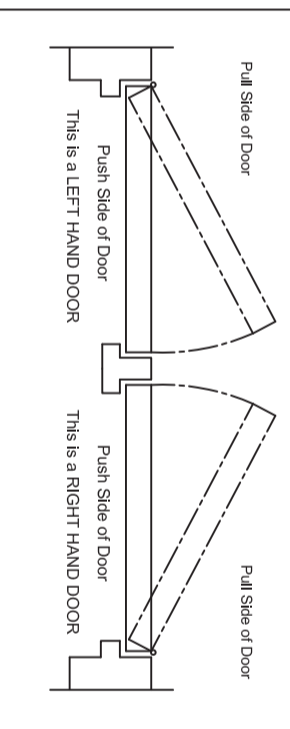
for opening to 160°-64(2 1/2")

LEFT HAND DOOR shown. Same dimensions apply for right hand door measured from hinge edge.

#### POSITION OF ARMS AND INDEX SETTINGS

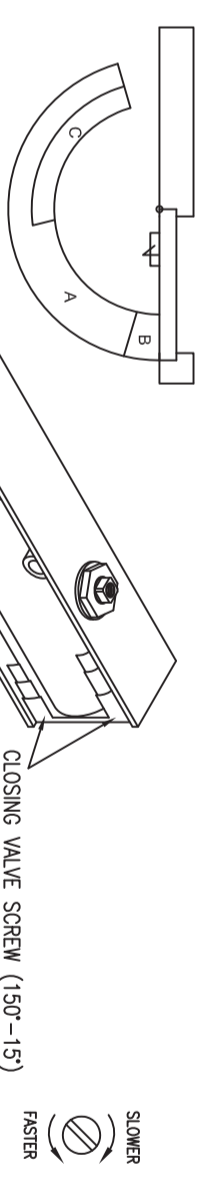


#### CHART FOR HAND OF DOOR



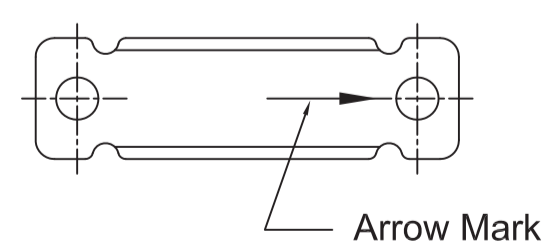
### SPRING POWER & VALVE ADJUSTMENT

- A. CLOSING RANGE 45°-15°
- B. LATCHING RANGE 15°-0°
- C. BACKCHECK RANGE 70°-145°



POWER ADJUSTMENT SCREW, USE 4mm HEXAGON WRENCH PROVIDED CLOCKWISE TURNS INCREASE THE CLOSING FORCE, COUNTERCLOCKWISE TURNS DECREASE THE CLOSING FORCE (see table below)

SIZE	NO. OF TURNS	DIRECTION
2	6	COUNTERCLOCKWISE
3	0	FACTORY PRESET
4	5	CLOCKWISE



Standard Installation Template  
For Left Hand Doors  
Mounted on door on pull side

Top jamb of frame

set to top of door

Fold Here  
and set to hinge edge  
of door for opening  
0° TO 145°

1#  
Closing speed regulating  
valve screw

2#  
Latching speed regulating  
screw

CUT OFF HERE FOR TEMPLATE